

Used equipment for sale by Intercem

1 Used | Refurbished Babcock Vertical Roller Mill,

IC00234

Herewith we offer a used and complete vertical roller mill including, Gear box, Fan, Grinding balls and Motor.

Documentation and drawings are available.

Technical specification:

- Manufacturer: Babcock
- Type: 8.5 E 9
- Nominal capacity: 27 t/h
- Residue on 200 micron sieve: 70 %
- Build in: 1988, never in operation
- Mill motor power (installed): 228 KW, 984 Rpm, 6 kV, 50 Hz



In case of Interest please contact:

Mr. Tim Hücking, tel. +49 2522 92058-17, t.huecking@intercem.de

Intercem Engineering GmbH
 Carl-Zeiss-Str. 10
 59302 Oelde, Germany
 Phone: +49 2522 92058-0
 Fax: +49 2522 92058-20
www.intercem.de

Intercem Engineering is a leading company for the supply of used and new equipment for the cement industry. Turn key plants are either designed as combination of used and –as far as necessary- new equipment. A high-class team of engineers provides comprehensive engineering for technology and design also for complete new production lines. If you are interested the o. m. component could be implemented in a comprehensive solution.

- Grinding balls diameter: 730 mm
- Grinding path middle diameter: 2159 mm
- rotation speed of grinding path 40 Rpm
- Total weight of the mill: 71 to



Picture: 1 Fan



Picture: 2 Grinding balls



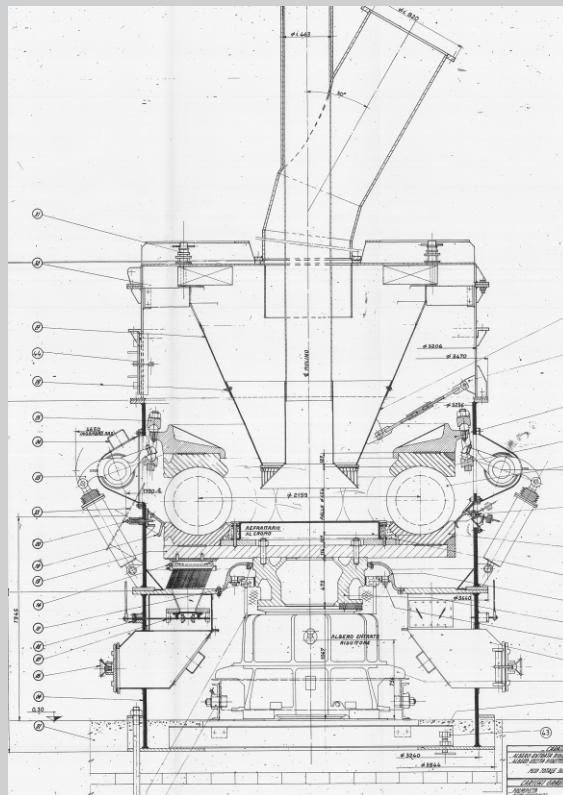
Picture: 3 Mill table



Picture: 4 Vertical upper part



Picture: 5 main drive motor



Picture: 5 General arrangement drawings